

# WeldTec®



## Micro TIG Welding Torches

WeldTec® offers the most advanced micro welding TIG torches on the market . . . and now, flexible\* neck models, both air cooled and water cooled.

When the WeldTec® design team introduced the micro torch to the market 25 years ago it first appeared as a 50 amp air cooled model. To meet the needs of today's welding challenges they reintroduce two new models, a 125 amp water cooled model and a 60 amp air cooled model. Both models share chucks and clear glass nozzles. They can be fitted with 45°, 90°, 180° or 45°/90° combo chucks (.040, 1/16) and clear glass nozzles to handle the most difficult welding applications.

The standard torch neck length is 3-1/2 inches, the flexible neck model is 5 inches long. The standard non-flex models can be special made with a neck length as short as 2 inches to as long as 12 inches.

Access to difficult weld locations was never easier.

- Low profile design for access to tight locations.
- Flexible neck models.
- Interchangeable chucks and nozzles.
- Clear glass nozzles for better visibility.
- Low maintenance dual o-ring head design.
- Flexible - soft rubber hose and power cable options.
- Glove soft leather protective cable cover on DX models.



Standard  
3 1/2"

Flex Neck  
5"

Specials  
2" - 12"

WT-60-12	12 1/2 ft. Torch Package - Vinyl	Standard Model	60 Amps Air Cooled
WT-60-25	25 ft. Torch Package - Vinyl		
WT-60-12SF	12 1/2 ft. Torch Package - Super Flex	Flex Neck Model	
WT-60-25SF	25 ft. Torch Package - Super Flex		
WT-125-12	12 1/2 ft. Torch Package - Vinyl	Standard Model	125 Amps Water Cooled
WT-125-25	25 ft. Torch Package - Vinyl		
WT-125-12R	12 1/2 ft. Torch Package - Super Flex	Flex Neck Model	
WT-125-25R	25 ft. Torch Package - Super Flex		
WT-125-12DX	12 1/2 ft. Torch Package - Deluxe		
WT-125-25DX	25 ft. Torch Package - Deluxe		
WT-125F-12	12 1/2 ft. Torch Package - Vinyl		
WT-125F-25	25 ft. Torch Package - Vinyl		
WT-125F-12R	12 1/2 ft. Torch Package - Super Flex		
WT-125F-25R	25 ft. Torch Package - Super Flex		
WT-125F-12DX	12 1/2 ft. Torch Package - Deluxe		
WT-125F-25DX	25 ft. Torch Package - Deluxe		

Standard: Vinyl - PVC plastic tubing.

Optional: Super Flex - soft over braided rubber tubing.

Deluxe: Soft over braided rubber tubing, leather cover, 1/16 combo chuck and 45 deg. nozzle.



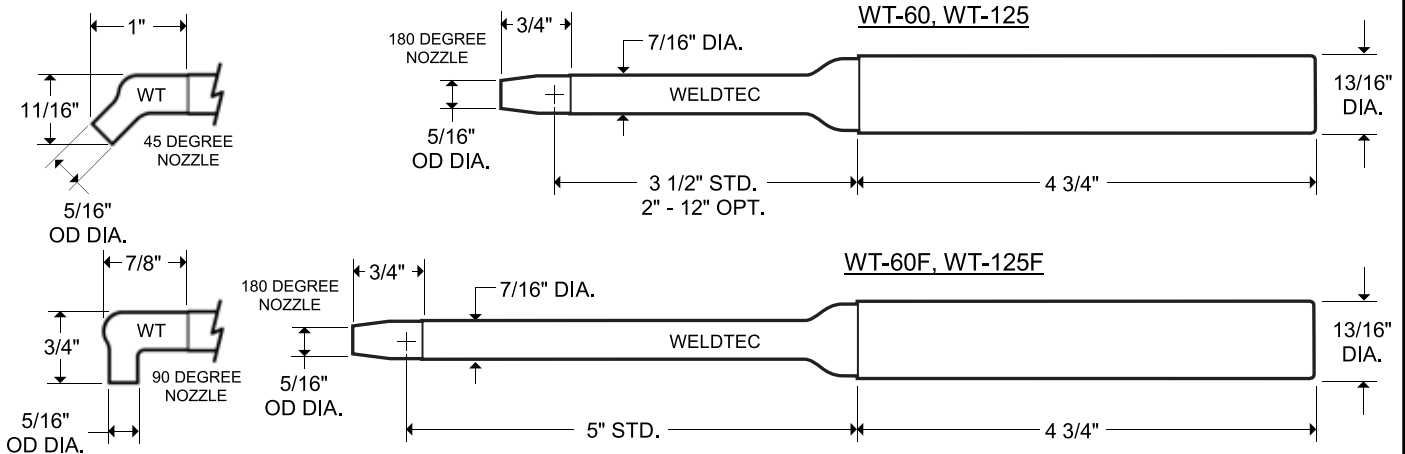
WeldTec® - "where quality and innovation never ends"

Specifications subject to change without notice. \*Flex neck models have a finite life and will work harden and fail after extensive or server flexing.



## MICRO TIG TORCHES

WT-60, 60F, 125, 125F



### SPECIFICATIONS

	WT-60, 60F	WT-125, 125F
Maximum Amperage Capacity	60 AMPS	125 AMPS
Tungsten Size Capacity	.040 - 1/16 (1,0 - 1,6)	.040 - 3/32 (1,0 - 2,4)
Cooling Requirements	-	1 Qt./Min. (.964L/Min.)
Maximum Coolant Pressure	-	50 psi (345 Kpa)

### TUNGSTEN ELECTRODE LENGTHS

Angle	Std.		Min.		Max.	
	In.	mm	In.	mm	In.	mm
90°	.866	22	.787	20	.866	22
45°	.866	22	.866	22	.945	24
180°	.866	22	.748	19	1.182	30

### QUARTZ GLASS NOZZLES

TORCH	LENGTH	ORIFICE IN	mm	SIZE	PART NO.
WT-60, 60F, 125, 125F	1"	1/4	6	4	125N45Q
WT-60, 60F, 125, 125F	7/8"	1/4	6	4	125N90Q
WT-60, 60F, 125, 125F	3/4"	1/4	6	4	125N180Q

Note: Quartz glass nozzles provide 3 times the temperature resistance of Pyrex glass with zero heat shock breakage.

### REPLACEMENT PARTS

TORCH	DESCRIPTION	PART NO.
	Torch Body	WT-60
	Torch Body	WT-60F
	Handle	H-100
	Torch Body	WT-125
	Torch Body Handle	WT-125F H-100B
WT-60, 60F, 125, 125F	Chuck Wrench (Use with 180 deg. chuck)	53N20
WT-60, 60F, 125, 125F	Torch Body O-Ring (2 Required) (Included on torch body)	98W77

Note: Specifications and dimensions are subject to change without notice.

### CHUCKS

TORCH	ELECTRODE ANGLE	SIZE IN	mm	PART NO.
	45 & 90 deg. Combo	.040	1,0	125C40C
		1/16	1,6	125C116C
	45 deg. Chuck	3/32	2,4	125C332-45
	90 deg. Chuck	3/32	2,4	125C332-90
	180 deg. Straight	.020	0,5	125C20
		.040	1,0	125C40
		1/16	1,6	125C116
	3/32	2,4	125C332	

### POWER CABLE ADAPTERS

ADAPTERS	TORCH	PART NO.
	WT-60, 60F WT-125, 125F	105Z57 45V11
	WT-60, 60F	3538 3538GT
	WT-125, 125F	3578W 3578W-GT

### ACCESSORY KITS

TORCH	DESCRIPTION	PART NO.
WT-60, 60F	Accessory Kit - .040 Parts	AK-60
WT-125, 125F	Accessory Kit - 1/16 Parts	AK-125