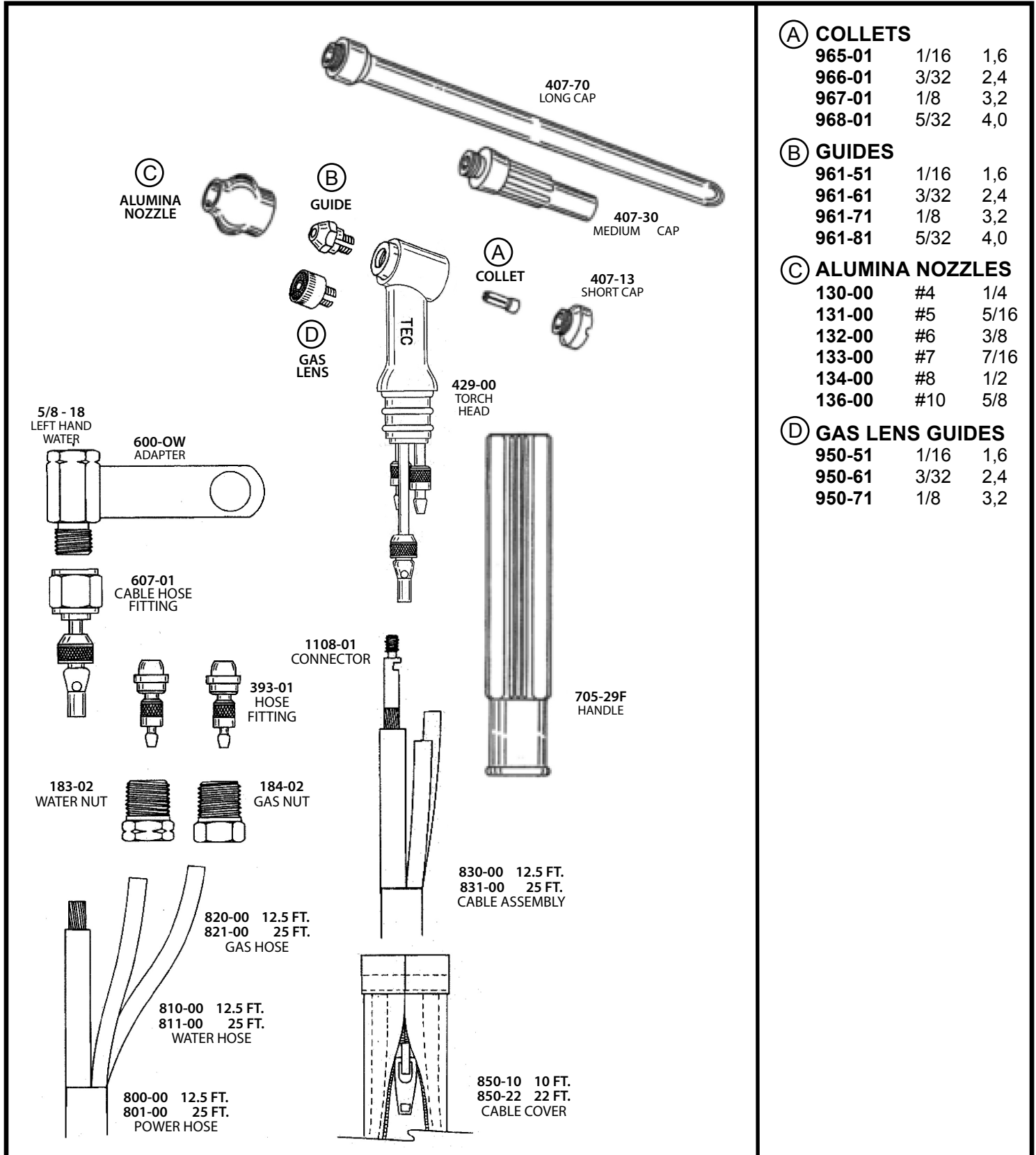


300 AMPS • WATER COOLED



(A) COLLETS

965-01	1/16	1,6
966-01	3/32	2,4
967-01	1/8	3,2
968-01	5/32	4,0

(B) GUIDES

961-51	1/16	1,6
961-61	3/32	2,4
961-71	1/8	3,2
961-81	5/32	4,0

(C) ALUMINA NOZZLES

130-00	#4	1/4
131-00	#5	5/16
132-00	#6	3/8
133-00	#7	7/16
134-00	#8	1/2
136-00	#10	5/8

(D) GAS LENS GUIDES

950-51	1/16	1,6
950-61	3/32	2,4
950-71	1/8	3,2

407-70 LONG CAP
 407-30 MEDIUM CAP
 407-13 SHORT CAP
 429-00 TORCH HEAD
 705-29F HANDLE
 830-00 12.5 FT.
 831-00 25 FT.
 CABLE ASSEMBLY
 850-10 10 FT.
 850-22 22 FT.
 CABLE COVER
 820-00 12.5 FT.
 821-00 25 FT.
 GAS HOSE
 810-00 12.5 FT.
 811-00 25 FT.
 WATER HOSE
 800-00 12.5 FT.
 801-00 25 FT.
 POWER HOSE
 1108-01 CONNECTOR
 393-01 HOSE FITTING
 184-02 GAS NUT
 183-02 WATER NUT
 607-01 CABLE HOSE FITTING
 600-OW ADAPTER
 5/8 - 18 LEFT HAND WATER
 (C) ALUMINA NOZZLE
 (B) GUIDE
 (D) GAS LENS
 TEC

TEC WELDING PRODUCTS, INC.

P.O. Box 1870 San Marcos, CA 92079

(760) 747-3700