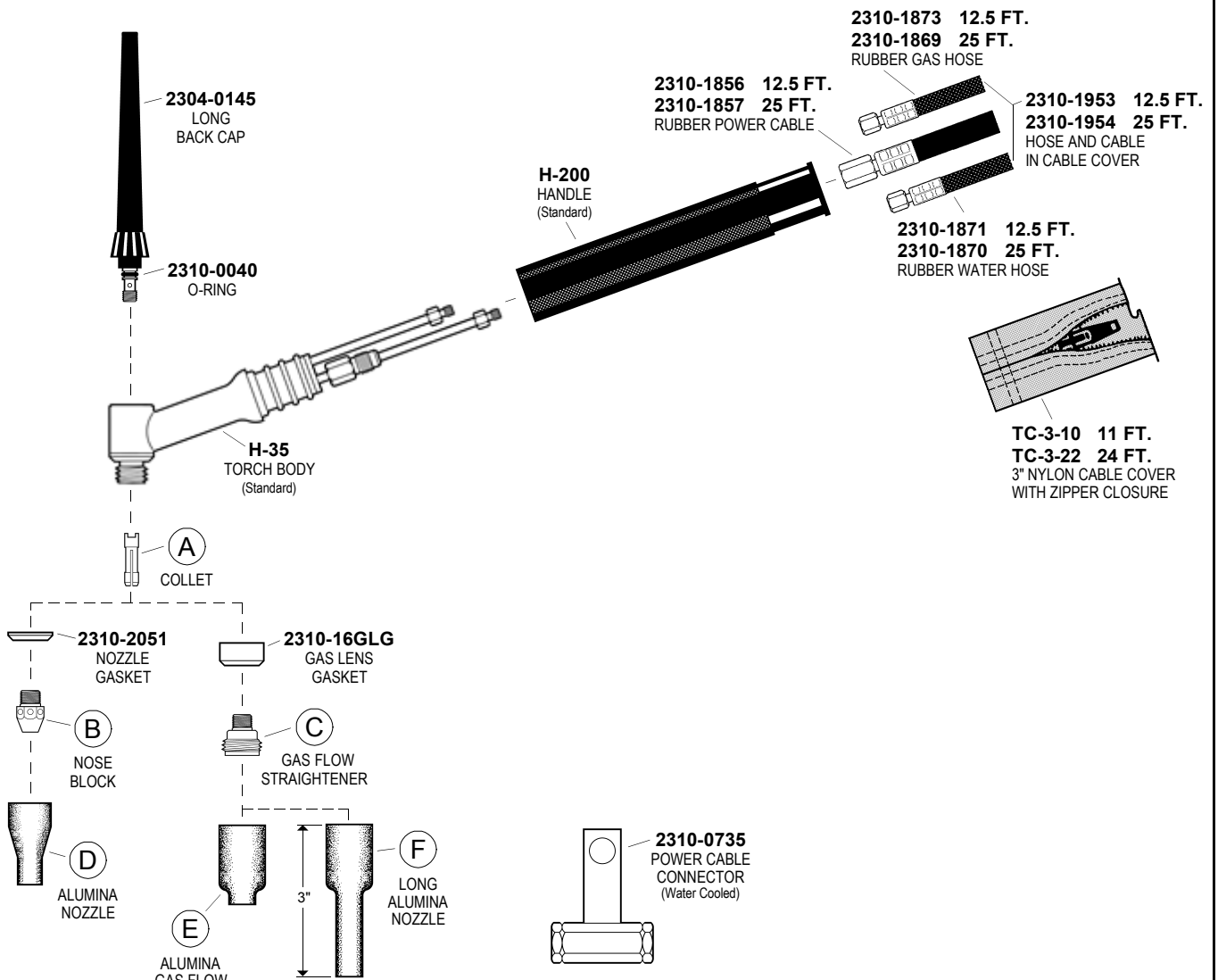
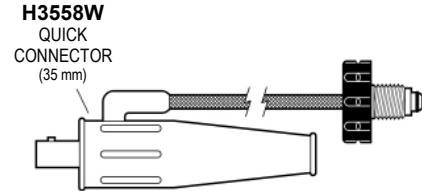


H-35
STANDARD

350 AMPS • WATER COOLED



2310-1958 ACCESSORY KIT
INCLUDES: 3 - COLLETS 1/16, 3/32, 1/8
1 - NOSE BLOCK
2 - ALUMINA NOZZLES #6, #10
1 - SHORT BACK CAP
1 - LONG BACK CAP



COPYRIGHT 2004 - 2024, TEC WELDING PRODUCTS, INC.

COLLETS • NOSE BLOCK • GAS STRAIGHTENERS

ITEM	ELECTRODE DIAMETER	.020 0,5	.040 1,0	1/16 1,6	3/32 2,4	1/8 3,2	5/32 4,0	3/16 4,8
A	COLLET	2304-0086	2304-0087	2304-0088	2304-0089	2304-0090	2304-0091	2304-0146
B	NOSE BLOCK	2310-1938						
C	GAS FLOW STRAIGHTENER	2304-0176A		2304-0177A	2304-0178A	2304-0179A	—	

GAS NOZZLES

ITEM	NO. SIZE	4 1/4"	5 5/16"	6 3/8"	7 7/16"	8 1/2"	10 5/8"	11 11/16"
D	ALUMINA	2304-0079	2304-0080	2304-0081	—	2304-0082	2304-0083	—
E	ALUMINA	54N18	54N17	54N16	54N15	54N14	—	54N19
F	LONG ALUMINA 3"	—	54N17L	54N16L	54N15L	54N14L	—	—