

MEGAFLO™ TIG Torch Glass Nozzle

From the company who introduced clear glass TIG nozzles to the welding industry... comes the MegaFlo™ nozzle.



WT-20 Shown
(250 Amps - Water Cooled)



30 cfh Gas Flow

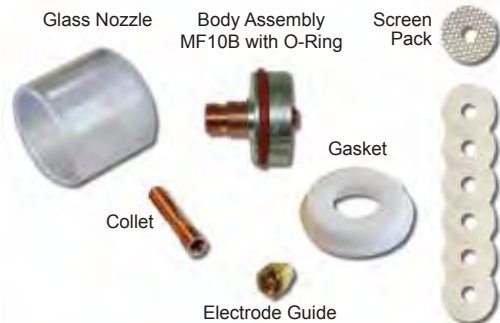
- Better weld visibility
- Maximum weld zone gas protection
- Positive nozzle stop for reliable weld shielding
- Replaceable screens and electrode guides

The MegaFlo™ nozzle provides complete weld zone protection for critical welding of reactive metals such as titanium, molybdenum, nickel alloys, stainless alloys and others. Useable on most hand held and machine TIG torches.



MEGAFLO™ NOZZLE KIT

DESCRIPTION	TORCH SERIES	SIZE	PART NO.
Includes: Glass nozzle, teflon gasket, collet, MegaFlo™ body assembly with o-ring, screen pack and electrode guide.	WT-17, 18, 26	1/16 (1,6)	MF10-16
	WT-28, 29	3/32 (2,4)	MF10-32
	i-Heads 17, 18	1/8 (3,2)	MF10-18
	WT-9, 20, 25	1/16 (1,6)	MF13-16
	WT-22, 23	3/32 (2,4)	MF13-32
	SW-320	1/8 (3,2)	MF13-18
	i-Heads 9, 20		



MEGAFLO™ DELUXE NOZZLE KIT (FITS 3 SIZES)

DESCRIPTION	TORCH SERIES	SIZE	PART NO.
Includes: Glass nozzle, teflon gasket, 3 collets, MegaFlo™ body assembly with o-ring, screen pack and electrode guides for 1/16, 3/32, 1/8.	WT-17, 18, 26	All 3 Sizes	MF10NK
	WT-28, 29	1/16, 3/32, 1/8	
	i-Heads 17, 18		
	WT-9, 20, 25	All 3 Sizes	MF13NK
	WT-22, 23	1/16, 3/32, 1/8	
	SW-320		
	i-Heads 9, 20		



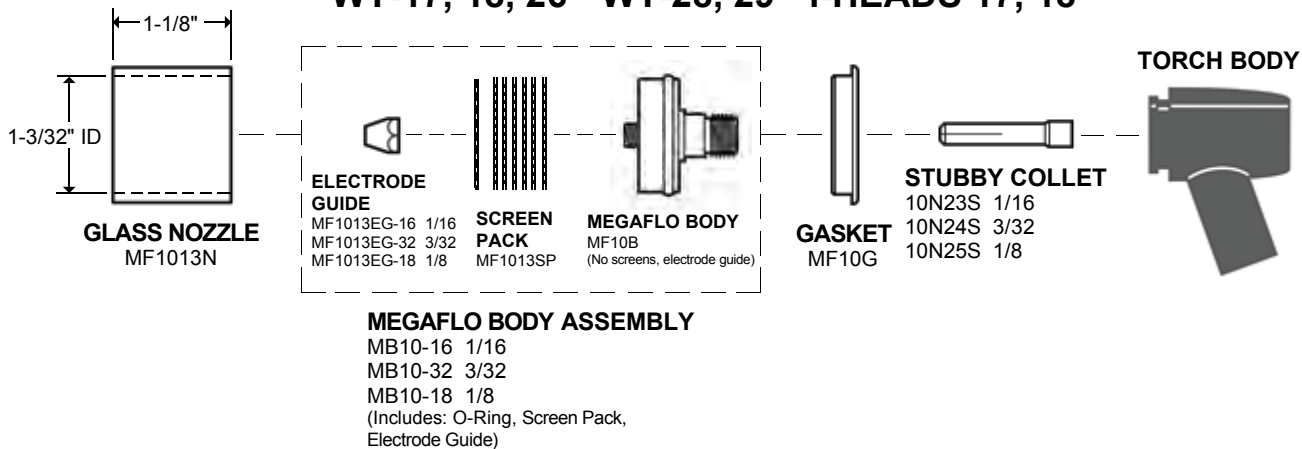
WeldTec®

Where Quality and Innovation Never Ends

MEGAFLO™ TIG Torch Glass Nozzle

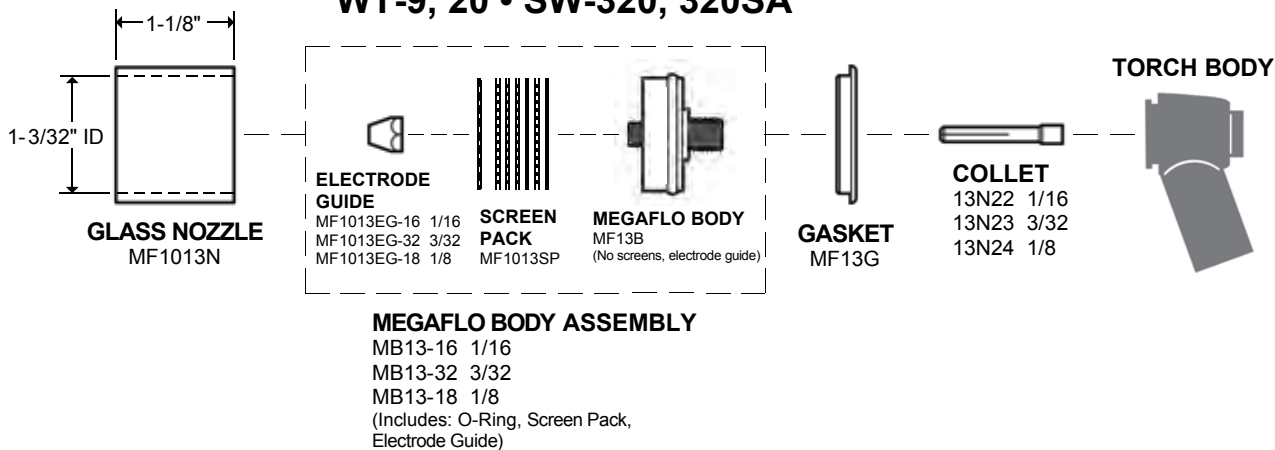
TORCH SERIES

WT-17, 18, 26 • WT-28, 29 • i-HEADS 17, 18



TORCH SERIES

WT-9, 20 • SW-320, 320SA



REPLACEMENT SCREEN PACK

MF1013SP



1 - BAFFLE



6 - SCREENS

TEC WELDING PRODUCTS, INC. • PO BOX 1870 • SAN MARCOS, CA 92079 • (760) 747-3700

www.tectorch.com

e-mail: Info@tectorch.com

www.weldtec.com

© COPYRIGHT 2003-2023 TEC WELDING PRODUCTS, INC.